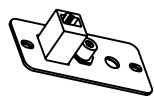
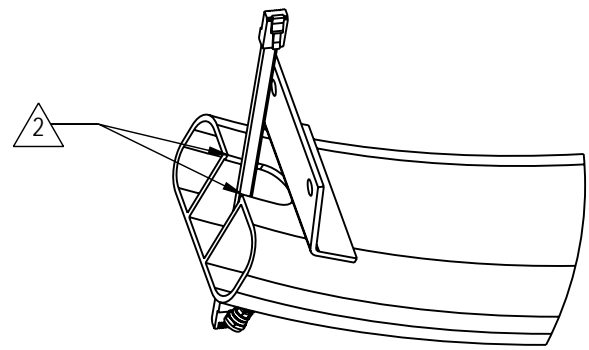
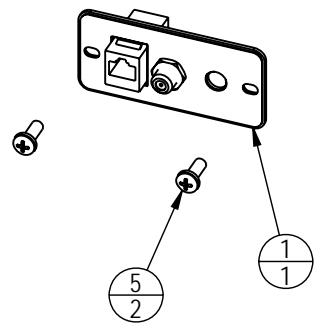
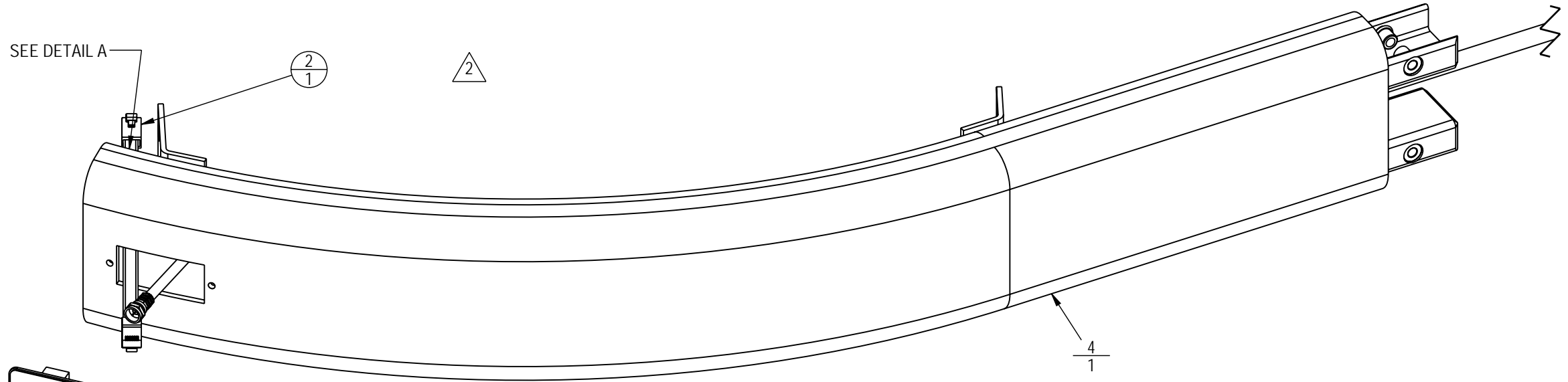
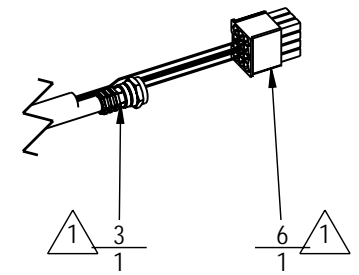


REVISIONS				
REV.	DATE	DESCRIPTION	ECO	BY
A	02-12-2007	RELEASE FOR PRODUCTION	11539	DN



DETAIL A
SCALE 1:4



ITEM	PART NUMBER	DESCRIPTION	QTY.
1	721-1134	ASSY,CONNECTOR,VLAD	1
2	711-3161	ASSY, HARNESS, CSAFE EXT,STEP	1
3	718-5126	CABLE,ANTENNA,M-M, ST/TBT	1
4	711-3200	ASSY, FRONT NECK, LOWER, STEP	1
5	110-3026	SCREW, 10-24X.50" PPHTCS	2
6	711-3185	ASSY, CABLE, INTERFACE, SC5100	1



NOTICE OF PROPRIETARY INFORMATION
THIS DOCUMENT SHALL NOT BE REPRODUCED NOR SHALL THE INFORMATION CONTAINED HEREIN BE USED BY OR DISCLOSED TO OTHER EXCEPT AS EXPRESSLY AUTHORIZED BY UNISEN

MATERIAL	TOLERANCES UNLESS OTHERWISE SPECIFIED		
	X.XXX = ± .010	ANGLES = ± 2°	
FINISH	X.XX = ± .030	FRACTIONS = ± 1/32	
	X.X = ± .050	INITIAL	DATE
	X = ± .125	DNGO	01-22-07
		U.O.M.	INCH

UNISEN, INC. DBA		14410 Myford Road Irvine CA 92606	
PART NO	711-3199	REV	A
TITLE ASSY, BASE NECK, STEPPER			
SCALE: 1:3	SHEET 1 OF 1	SHEET SIZE: B	

- NOTES:
- 1 INSTALL CABLE ASSEMBLIES IN CENTER OF TUBE, EXISTING TOP END.
 - 2 CABLE ASSEMBLY EXITS THROUGH BOTTOM OF NECK.